

24 Volt 3-phase AC technology

Ergonomic design and controls help ensure greater productivity throughout the entire shift

Features and options for a variety of applications, including order picking, long distance transporting and loading / unloading trailers



ECR 327 / 336

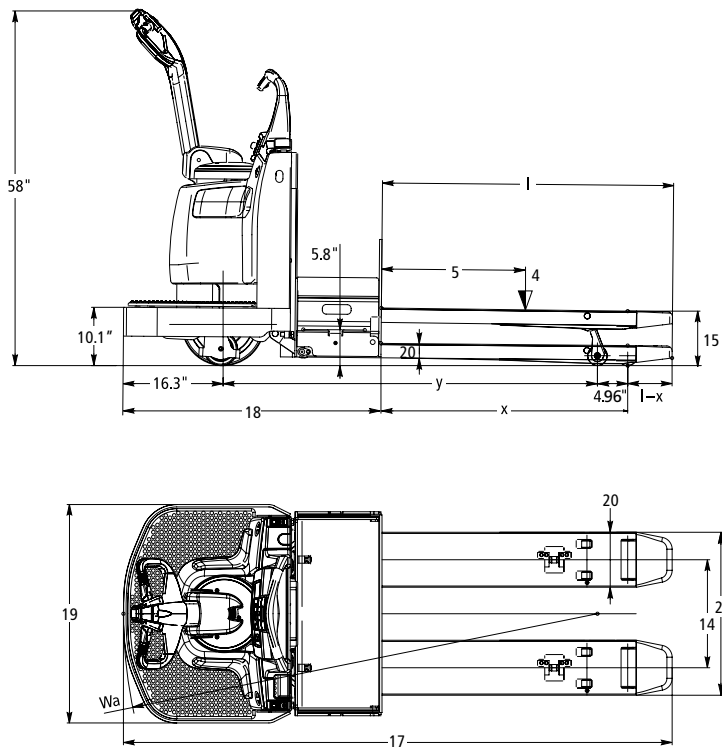
Electric End Rider Pallet Truck (6,000; 8,000 lbs.)

The ECR 327 / 336 electric end rider pallet truck was designed for productivity – giving you the advantage to get more done in less time.

The key advantages:

- Quick acceleration – The ECR Series has exceptional acceleration. Not only can operators rapidly obtain maximum speed, but can do so with smooth and precise control due to the proprietary controller and optimal programming.
- Speed – The ECR is the fastest end rider in the industry, achieving speeds up to 9.3 mph.
- Smooth directional changes – The incredibly responsive regenerative braking system provides a seamless transition from one direction to another, while maintaining load stability. This feature can be particularly valuable when engaging in frequent directional changes which can lead to tremendous gains in productivity.
- Strong gradeability performance on inclines – The ECR Series achieves high levels of performance and control on slopes. This is accomplished through our proprietary Jungheinrich-built motor and high output controller which were designed to meet the application demands of the ECR. This level of performance supports your operators in moving more pallets in less time.

ECR 327 / 336



		Standard Fork Tip				Extended Fork Tip				
Nominal Fork Length	inches	36.0	42.0	48.0	60.0	84.0	93.0	96.0	103.0	144.0
Actual Fork Length	l inches	35.7	41.7	47.7	59.6	83.7	92.7	95.7	102.7	143.5
Overall Length	inches	78.0	84.0	90.0	102.0	126.1	135.1	138.1	145.0	185.9
Wheelbase (raised)	y inches	49.4	55.4	61.5	73.4	81.4	81.4	81.5	81.4	109.2
Load Wheel Distance	x inches	28.3	34.3	40.3	52.3	60.3	60.3	60.3	60.3	88.1
Fork Tip Length	l-x inches	7.3	7.3	7.3	7.3	23.4	32.4	35.4	42.4	55.4
Grade Clearance	%	37.8	33.5	30.1	25.0	22.5	22.5	22.5	22.5	16.7
Turning Radius (raised)	Wa inches	66.1	72.0	78.0	89.9	97.9	97.9	97.9	97.9	125.7
Fork Width	inches	9.0	9.0	9.0	9.0	9.8	9.8	9.8	9.8	9.8

Technical Data

as of: 03/2012

Characteristics	1		Manufacturer's type designation		ECR 327 ¹⁾		ECR 336 ¹⁾		1		
	2		Drive		electric		electric		2		
Weights	3		Type of operation		walkie / ride-on		walkie / ride-on		3		
	4		Load capacity / rated load		lbs	kg	6,000	2,700	8,000	3,600	4
Wheels/Chassis	5		Load center distance		in	mm	24	600	24	600	5
	6		Wheelbase (forks raised)		in	mm	61.5 ²⁾	1,560 ²⁾	81.5 ²⁾	2,068 ²⁾	6
Dimensions	7		Service weight including maximum weight battery (see line 33)		lbs	kg	2,730	1,240	3,030	1,375	7
	8		Axle loading, loaded front/rear including maximum weight battery		lbs	kg	3,100 / 5,630	1,420 / 2,520	2,795 / 8,235	1,300 / 3,675	8
	9		Axle loading, unloaded front/rear including maximum weight battery		lbs	kg	2,020 / 710	918 / 322	2,115 / 915	960 / 415	9
Performance	10		Tires		PU (polyurethane)		PU (polyurethane)		10		
	11		Tire size, drive tire		in	mm	12.0 x 5.0	305 x 127	12.0 x 5.0	305 x 127	11
	12		Tire size, load wheels (x2)		in	mm	3.27 x 6.3	83 x 160	3.27 x 6.3	83 x 160	12
	13		Casters (dimensions) (x2)		in	mm	4.0 x 2.5	101 x 63	4.0 x 2.5	101 x 63	13
Motors	14		Track width, rear		in	mm	17.8	450	17.8	450	14
	15		Maximum lift height		in	mm	8.7	222	8.7	222	15
	16		Lowered fork height		in	mm	3.35	85	3.35	85	16
	17		Overall length		in	mm	90	2,287	138	3,507	17
	18		Length to fork face (headlength)		in	mm	42.3	1,076	42.3	1,076	18
	19		Overall width		in	mm	35.8	910	35.8	910	19
	20		Fork dimensions		in	mm	2.4 / 9.0 / 47.7	60 / 229 / 1,211	2.4 / 9.8 / 95.7	60 / 248 / 2,431	20
	21		Overall width across forks		in	mm	26.8	679	27.5	698.2	21
	22		Ground clearance, center of wheelbase		in	mm	0.98	25.2	1.07	27.2	22
	23		Turning radius		in	mm	78.0 ²⁾	1,981 ²⁾	97.9 ²⁾	2,487 ²⁾	23
Other Details	24		Travel speed, loaded/unloaded		mph	kph	7.1 / 9.3	11.4 / 15	6.2 / 9.3	10 / 15	24
	25		Lift speed, loaded/unloaded		ft / min	m / s	8.0 / 9.8	0.040 / 0.050	7.5 / 9.8	0.038 / 0.050	25
	26		Gradeability, loaded/unloaded		%		13 / 25		10 / 25		26
	27		Service brake				regenerative		regenerative		27
Motors	28		Parking brake				electromagnetic		electromagnetic		28
	29		Drive motor rating 60 min		HP	kW	4.3	3.2	4.3	3.2	29
	30		Lift motor rating at 10%		HP	kW	2.0	1.5	2.0	1.5	30
	31		Battery voltage, nominal capacity (at 6 hour rate)		V / Ah		24 / 840		24 / 840		31
	32		Battery weight (minimum)		lbs	kg	970	440	970	440	32
Other Details	33		Battery weight (maximum)		lbs	kg	1,430	650	1,430	650	33
	34		Type of drive control				3-phase AC drive control		3-phase AC drive control		34
	35		Steering				mechanical		mechanical		35

1) ECR 327 with 27 x 48 inch forks and standard fork tip; ECR 336 with 27 x 96 inch forks and extended fork tip
 2) Load section lowered: add 4.96 inches

The Jungheinrich® Advantage

Serviceability

Electromagnetic brake

Unlike traditional mechanical brakes which require regular maintenance, the ECR Series electromagnetic brake requires limited servicing.

Advanced regenerative braking

At Jungheinrich, we took our brake design one step further. The regenerative braking system engages first, slowing the truck during coasting, plugging and braking, before the brake is ever applied – further protecting it from wear.



Optional ProTracLink caster

Adjustable casters

Castors are one of the most frequently serviced parts on any end rider. But, the ECR allows for automatic caster adjustment, without having to raise the truck, saving time and money.

Durability

Thickest forks in the industry

Our formed forks are the thickest in the industry. Combined with cast steel fork tips, they are designed to withstand abusive environments.



Forks

Simplified pull rod adjustment

Unlike traditional designs, the ECR utilizes jam nuts to adjust the pull rods – not only allowing for simplified (one tool) adjustment – but also requiring less maintenance over time.

Harsh and corrosive environments

For those extra harsh environments, a corrosion protection package is available which includes the following galvanized components:

- chassis
- pull rods
- load wheel linkage
- lift linkage
- forks

Ergonomics

More surface area

The operator platform has a spacious surface area, giving your operators the ability to comfortably adjust their position throughout the day. In addition, the “foot alcove” allows for a wider stance and helps to ensure your operators’ feet are fully on the platform.



Operator platform

Motor cover

Steel is not always the best material for the job. The motor cover is made of a heavy duty Thermoplastic PolyOlefin (TPO) plastic which is significantly lighter than steel, resulting in easier removal during maintenance. The cover is also less prone to cracking, and it will not dent upon contact. More flexible than steel, it also helps to provide greater operator comfort.